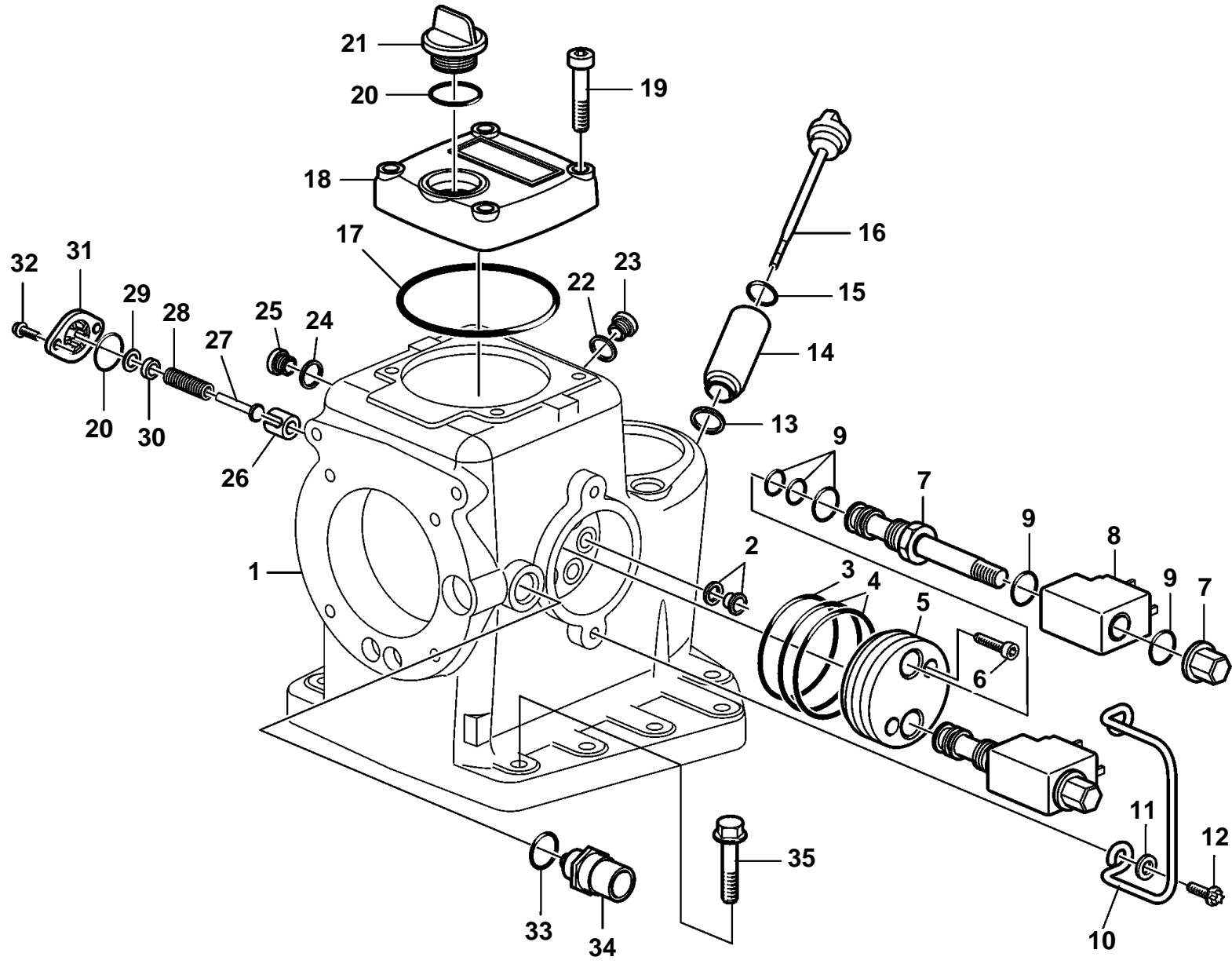


Volvo Penta IPS-A



21185

Volvo Penta IPS-A

REF	PART NO.	QTY	DESCRIPTION	NOTES
1		1	Housing	
2	422413	6	Sealing ring	
3	925255	1	O-ring	
4	925094	2	O-ring	
5	3861061	1	Valve housing	
6	959229	2	Allen head screw	L=60mm
7	3589654	2	Hydraulic valve	
8	3589656	2	Solenoid	12V
	3589658	2	Solenoid	24V
9	3812355	2	Sealing kit	Includes o-rings for solenoid
10	3861876	1	Protection	
11	941670	2	Washer	
12	984697	2	Screw	
13	976109	1	O-ring	
14	3817089	1	Adapter	
15	949656	1	O-ring	
16	3858140	1	Dipstick	
17	925263	1	O-ring	
18	3861057	1	Cover	
19	984277	4	Allen head screw	L=50mm
20	949659	2	O-ring	
21	840559	1	Cover	
22	947282	1	Gasket	
23	966142	1	Plug	
24	969011	1	Gasket	
25	945065	1	Plug	
26	1542265	1	Seat	
27	3809890	1	Valve	
28	872585	1	Spring	
29	978917	5	Shim	TH = 0,50mm
30	3862868	1	Spacer	
31	471648	1	Cover	
32	946544	2	Flange screw	L=16mm
33	968559	1	O-ring	
34	874313	1	Sender, oil pressure/temperature	
35	965186	10	Flange screw	